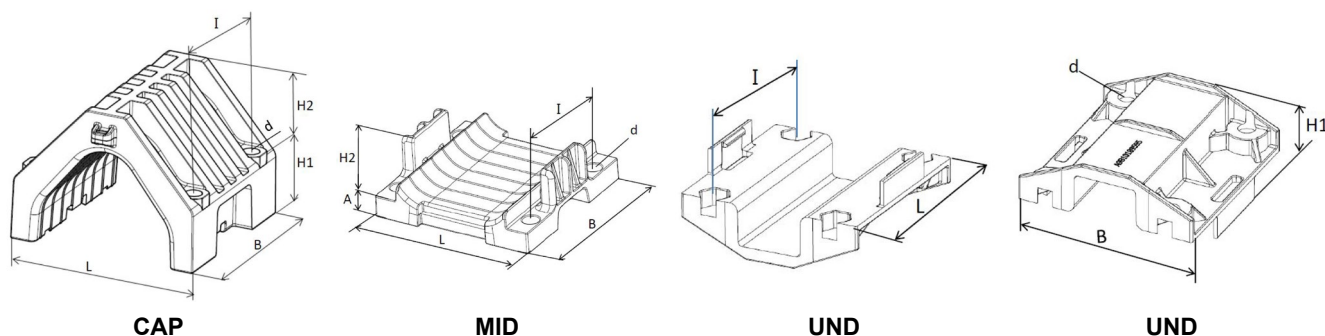


SPECIFICATION KOZ CABLE CLAMP TRI 30-34

Application:	Suitable for mounting 3 single- and multiple-conductor low- medium- and high voltage cables.
Range:	For cables with a nominal outer diameter of 30 up to 34 mm.
Material:	Black polyamide (PA66), fibreglass-reinforced, virgin material.
Fire resistance:	UL94 V-0 and classification standard DIN 5510-2:2009 with flammability class S3, smoke SR2 and dripping ST-2.
Standards:	Certified in accordance with the international standard NEN-EN-IEC 61914:2016.
Temperature:	Permanent application from -80°C to +120°C. Short-term heating of up to +220°C.
Advantages:	Resistant to oils, greases, frost, heat, UV, ozone, salt water, salts, acids, aggressive chemicals and radioactive radiation. Non-oxidizing, non-corrosive, non-magnetic and non-conductive. Halogen-free and no sharp edges. Lifetime warranty, easy assembly and available worldwide.
Installation note:	While installing the M8x80 bolts in de CAP part, please take note that they should be installed cross-wise from each other.



Initial torque for fastening fixing material : 8 Nm.
(depends on cable manufacturer's prescription).

Tests have been performed by KEMA, SGS, KU Leuven, UL and Schneider.

The product listed in this datasheet is produced in conformity with the latest EU Directive 2011/65 / EU (RoHS), and complies with all legal obligations in accordance with REACH.

DIMENSIONS IN MILLIMETERS

Type		D	L	B	I	d	H1	H2	h
KOZ TRI 30-34	CAP	3x30-34	92,5	90	62	8,4	34,5	35,5	-
KOZ TRI 30-34	MID	3x30-34	92,5	90	62	9	-	22	12
KOZ TRI 30-34	UND	3x30-34	92,5	90	62	8,5	35	-	-