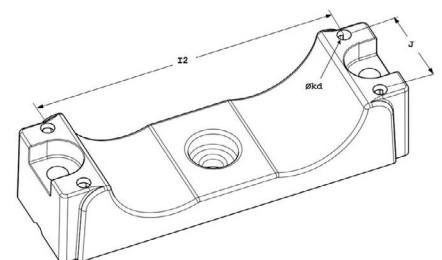
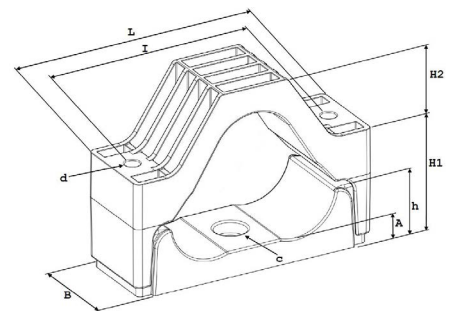


# SPECIFICATION KOZ CABLE CLAMP TRI 82-98

<b>Application:</b>	Suitable for mounting 3 single- and multiple-conductor low- medium- and high voltage cables.
<b>Range:</b>	For cables with a nominal outer diameter of 82 up to 98 mm.
<b>Material:</b>	Black polyamide (PA66), fibreglass-reinforced, virgin material.
<b>Fire resistance:</b>	UL94 V-0 and classification standard EN 45545-2: 2020 – Railway applications. Requirement set R22,R23 / Hazard level HL1,HL2.
<b>Standards:</b>	Certified in accordance with the international standard NEN-EN-IEC 61914:2016.
<b>Temperature:</b>	Permanent application from -80°C to +120°C. Short-term heating of up to +220°C.
<b>Advantages:</b>	Resistant to oils, greases, frost, heat, UV, ozone, salt water, salts, acids and aggressive chemicals. Non-oxidizing, non-corrosive, non-magnetic and non-conductive. Halogen-free and no sharp edges. Lifetime warranty, easy assembly and available worldwide.
<b>Extra possibilities:</b>	The central fastening hole in the bottom part of this TRI clamp enables more installation possibilities for e.g. masts, poles, concrete or fitting rails. The 4 holes in the upper and bottom part of this clamp can be used for installation on all kinds of ladders and other support systems without drilling holes.



Initial torque for fastening fixing material : 5 – 8 Nm.  
(depends on cable manufacturer's prescription).

Tests have been performed by KEMA, SGS, KU Leuven, UL and Schneider.

The product listed in this datasheet is produced in conformity with the latest EU Directive 2011/65 / EU (RoHS), and complies with all legal obligations in accordance with REACH.

**DIMENSIONS IN MILLIMETERS**

Type	DØ	L	B	I	dØ	H1	H2	h	A	C	I2	J	kdØ	Strength (N)
<b>KOZ TRI 82-98</b>	3x82-98	282	100	234	16,5	125-160	79,5	69,5	26	16,5	222	69,15	10,5	52.900