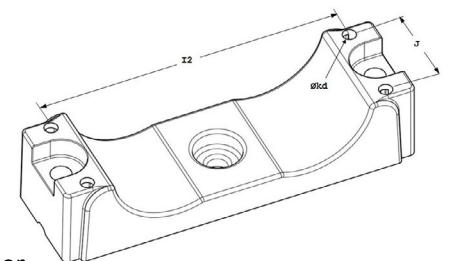
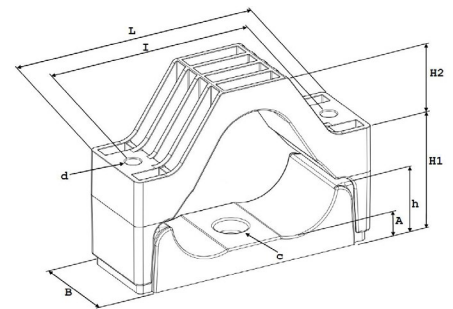


SPECIFICATION KOZ CABLE CLAMP TRI 67-82

Application:	Suitable for mounting 3 single- and multiple-conductor low- medium- and high voltage cables.
Range:	For cables with a nominal outer diameter of 67 up to 82 mm.
Material:	Black polyamide (PA66), fibreglass-reinforced, virgin material.
Fire resistance:	UL94 V-0 and classification standard DIN 5510-2:2009 with flammability class S3, smoke SR2 and dripping ST-2.
Standards:	Certified in accordance with the international standard NEN-EN-IEC 61914:2016.
Temperature:	Permanent application from -80°C to +120°C. Short-term heating of up to +220°C.
Advantages:	Resistant to oils, greases, frost, heat, UV, ozone, salt water, salts, acids, aggressive chemicals and radioactive radiation. Non-oxidizing, non-corrosive, non-magnetic and non-conductive. Halogen-free and no sharp edges. Lifetime warranty, easy assembly and available worldwide.
Extra possibilities:	The central fastening hole in the bottom part of this TRI clamp enables more installation possibilities for e.g. masts, poles, concrete or fitting rails. The 4 holes in the upper and bottom part of this clamp can be used for installation on all kinds of ladders and other support systems without drilling holes.



Initial torque for fastening fixing material : 5 – 8 Nm.
(depends on cable manufacturer's prescription).

Tests have been performed by KEMA, SGS, KU Leuven, UL and Schneider.

The product listed in this datasheet is produced in conformity with the latest EU Directive 2011/65 / EU (RoHS), and complies with all legal obligations in accordance with REACH.

DIMENSIONS IN MILLIMETERS

Type	DØ	L	B	I	dØ	H1	H2	h	A	C	I2	J	kdØ	Strength (N)
KOZ TRI 67-82	3x67-82	250	90	200	16,5	130-164	44,3	61,5	26	16,5	216	60	8,5	55.600