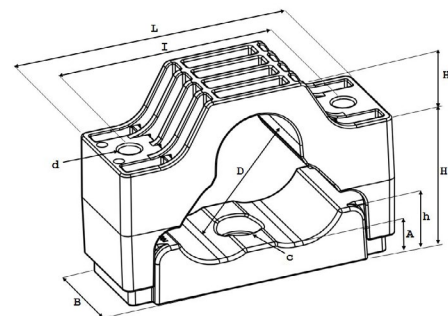


SPECIFICATION KOZ CABLE CLAMP TRI 53-66

Application:	Suitable for mounting 3 single- and multiple-conductor low- medium- and high voltage cables.
Range:	For cables with a nominal outer diameter of 53 up to 66 mm.
Material:	Black polyamide (PA66), fibreglass-reinforced, virgin material.
Fire resistance:	UL94 V-0 and classification standard DIN 5510-2:2009 with flammability class S3, smoke SR2 and dripping ST-2.
Standards:	Certified in accordance with the international standard NEN-EN-IEC 61914:2016.
Temperature:	Permanent application from -80°C to +120°C. Short-term heating of up to +220°C.
Advantages:	Resistant to oils, greases, frost, heat, UV, ozone, salt water, salts, acids, aggressive chemicals and radioactive radiation. Non-oxidizing, non-corrosive, non-magnetic and non-conductive. Halogen-free and no sharp edges. Lifetime warranty, easy assembly and available worldwide.
Extra possibilities:	The central fastening hole in the bottom part of this TRI clamp enables more installation possibilities for e.g. masts, poles, concrete or fitting rails.



Initial torque for fastening fixing material : 5 – 8 Nm.
(depends on cable manufacturer's prescription).

Tests have been performed by KEMA, SGS, KU Leuven, UL and Schneider.

The product listed in this datasheet is produced in conformity with the latest EU Directive 2011/65 / EU (RoHS), and complies with all legal obligations in accordance with REACH.

DIMENSIONS IN MILLIMETERS

Type	DØ	L	B	I	dØ	H1	H2	h	A	C	Strength (N)
KOZ TRI 53-66	3x53-66	216	80	169	15	100-120	44	44	25	15,5	69.000