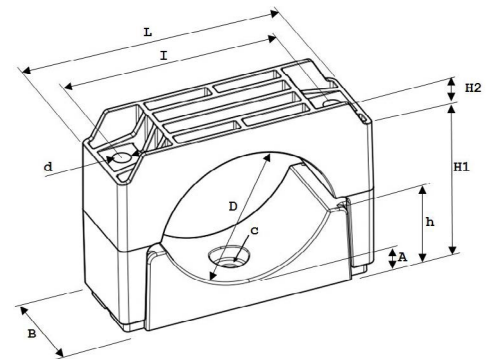


# SPECIFICATION KOZ CABLE CLAMP STC 120-160

<b>Application:</b>	Suitable for mounting single- and multiple-conductor low- medium- and high voltage cables.
<b>Range:</b>	For cables with a nominal outer diameter of 120 up to 160 mm.
<b>Material:</b>	Black polyamide (PA66), fibreglass-reinforced, virgin material.
<b>Fire resistance:</b>	UL94 V-0 and classification standard EN 45545-2: 2020 – Railway applications. Requirement set R22,R23 / Hazard level HL1,HL2.
<b>Standards:</b>	Certified in accordance with the international standard NEN-EN-IEC 61914:2016.
<b>Temperature:</b>	Permanent application from -80°C to +120°C. Short-term heating of up to +220°C.
<b>Advantages:</b>	Resistant to oils, greases, frost, heat, UV, ozone, salt water, salts, acids and aggressive chemicals. Non-oxidizing, non-corrosive, non-magnetic and non-conductive. Halogen-free and no sharp edges. Lifetime warranty, easy assembly and available worldwide.
<b>Extra possibilities:</b>	The central fastening hole in the bottom part of this STC clamp enables more installation possibilities for e.g. masts, poles, concrete or fitting rails.



Initial torque for fastening fixing material : 5 – 8 Nm.  
(depends on cable manufacturer's prescription).

Tests have been performed by KEMA, SGS, KU Leuven, UL and Schneider.

The product listed in this datasheet is produced in conformity with the latest EU Directive 2011/65 / EU (RoHS), and complies with all legal obligations in accordance with REACH.

## DIMENSIONS IN MILLIMETERS

Type	DØ	L	B	I	dØ	H1	H2	h	A	C	Strength (N)
KOZ STC 120-160	120-160	230	80	190	15,5	145-185	23	71	24	14,5	48.000