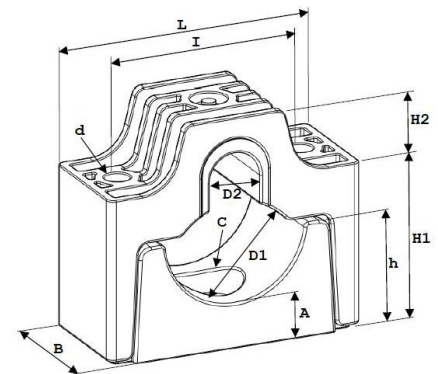


# SPECIFICATION KOZ CABLE CLAMP DUO 44-61

<b>Application:</b>	Suitable for mounting 2 single- and multiple-conductor low- medium- and high voltage cables with a different outer diameter.
<b>Range:</b>	For cables with a nominal outer diameter of 44 up to 61 mm. and an additional cable above with an outer diameter of 18, 22 or 29 mm.
<b>Material:</b>	Black polyamide (PA66), fibreglass-reinforced, virgin material.
<b>Fire resistance:</b>	UL94 V-0 and classification standard EN 45545-2: 2020 – Railway applications. Requirement set R22,R23 / Hazard level HL1,HL2.
<b>Temperature:</b>	Permanent application from -80°C to +120°C. Short-term heating of up to +220°C.
<b>Advantages:</b>	Resistant to oils, greases, frost, heat, UV, ozone, salt water, salts, acids and aggressive chemicals. Non-oxidizing, non-corrosive, non-magnetic and non-conductive. Halogen-free and no sharp edges. Lifetime warranty, easy assembly and available worldwide.
<b>Extra possibilities:</b>	By using our unique insert it is made possible to install, besides a cable of 44 up to 61 mm, another cable above with an outer diameter of 18, 22 or 29 mm.



Initial torque for fastening fixing material : 5 – 8 Nm.  
(depends on cable manufacturer's prescription).

Tests have been performed by KEMA, SGS, KU Leuven, UL and Schneider.

The product listed in this datasheet is produced in conformity with the latest EU Directive 2011/65 / EU (RoHS), and complies with all legal obligations in accordance with REACH.

**DIMENSIONS IN MILLIMETERS**

Type	L	B	H1	H2	h	A	D1	D2	I	d	C
<b>KOZ DUO 44-61</b>	110	50	70-87	27	48	19	44-61	18-29	80	M10	M10