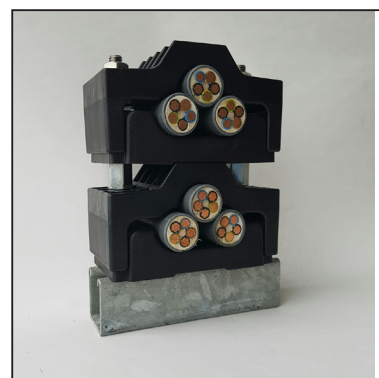


# SPECIFICATIONS KOZ CABLE CLAMPS

## TRI ECO 24-35 AND TRI ECO 33-46 (11)

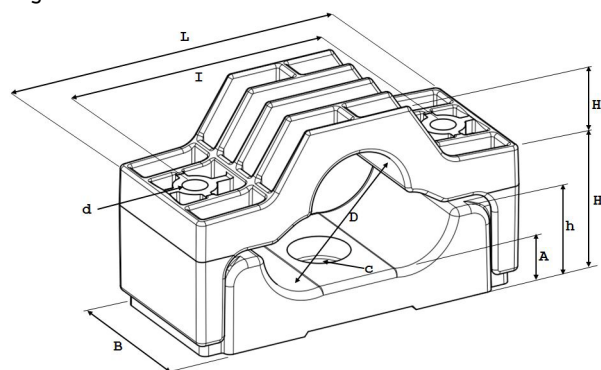
- Application** : Suitable for fitting 3 single- and multiple-conductor low- medium and high voltage cables.
- Range** : For cables with a nominal outer diameter from 24 up to 46 mm.
- Material** : Black polyamide, fibreglass-reinforced, virgin material. It is halogen-free and resistant to radioactive rays, UV rays, salt water, ozone, oils, acids, fuels and alkalis.
- Flame resistance** : UL94 V-0 and classification following DIN 5510-2:2009 with flammability class S3, smoke SR2 and dripping ST-2.
- Standards** : According to International Standard NEN-EN-IEC 61914:2016, Certificate of Conformity KOZ No 20117C by SGS.
- Flexure strength** : 210 N/mm<sup>2</sup>
- Tensile strength** : 120 N/mm<sup>2</sup>
- Thermal expansion** : 0,01% per 10°C temperature increase.
- Temperature limits** : Permanent application from -80°C to +120°C. Brief heating up to +220°C.
- Benefits** : The central fastening hole in the bottom part of the KOZ TRI eco clamps means they can be fastened to e.g. masts and poles, as well as to concrete and fitting rails.



Initial torque for fastening fixing material : 5 – 8 Nm (depends on cable manufacturer's prescription).

Tests have been done by KEMA Netherlands, SGS Belgium, Underwriters Laboratories Inc. and Schneider France.

All products listed in this catalogue are fully compliant manufactured with the latest EU Directive 2011/65/EU (RoHS) list. Meeting all legal obligations under REACH.



Dimensions in millimeters

Type	DØ	L	B	I	dØ	H1	H2	h	A	C	Strength (N)
KOZ TRI eco 24-35	24-35	136	70	101	11	54-78	20	35	20	11	15.000
KOZ TRI eco 33-46 (11)	33-46	156	70	121	11	58-90	30	41	20	11	16.900

No rights may be derived from the indicated sizes, as the products are subject to ongoing development. KOZ Products BV therefore reserves the right to implement these changes without notice. For the most up-to-date information, visit our website.