

## SPECIFICATIONS KOZ CABLE CLAMP ST 18-26

Application	: Suitable for fitting single- and multiple-conductor low- medium and high voltage cables.
Range	: For cables with a nominal outer diameter from 16 up to 26 mm.
Material	: Black polyamide, fibreglass-reinforced, virgin material. It is halogen-free and resistant to radioactive rays, UV rays, salt water, ozone, oils, acids, fuels and alkalis.
Flame resistance	: UL94 V-0 and classification following DIN 5510-2:2009 with flammability class S3, smoke SR2 and dripping ST-2.
Standards	: According to International Standard NEN-EN-IEC 61914:2016, Certificate of Conformity KOZ No 20117C by SGS.
Flexure strength	: 210 N/mm <sup>2</sup>
Tensile strength	: 120 N/mm <sup>2</sup>
Thermal expansion	: 0,01% per 10°C temperature increase.
Temperature limits	: Permanent application from -80°C to +120°C. Brief heating up to +220°C.

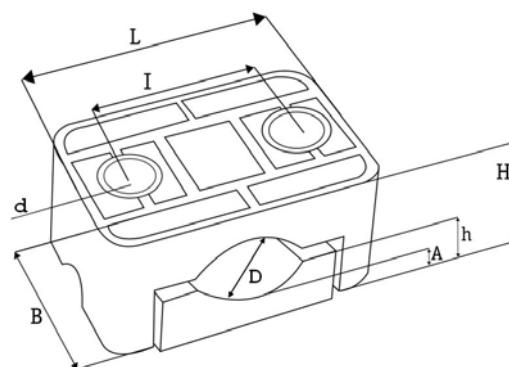


Initial torque for fastening fixing material : 5 – 8 Nm  
 (depends on cable manufacturer's prescription).

Tests have been done by KEMA Netherlands, SGS Belgium, Underwriters Laboratories Inc. and Schneider France.

The product listed in this datasheet is manufactured in compliance with the latest EU Directive 2011/65/EU (RoHS) list.

Meeting all legal obligations under REACH.



Dimensions in millimeters

Type	DØ	L	B	I	dØ	H	h	A	Strength (N)
KOZ ST 18-26	16-26	77	45	49	10,5	36-44	13,5	6	25.400

No rights may be derived from the indicated sizes, as the products are subject to ongoing development. KOZ Products BV therefore reserves the right to implement these changes without notice. For the most up-to-date information, visit our website.